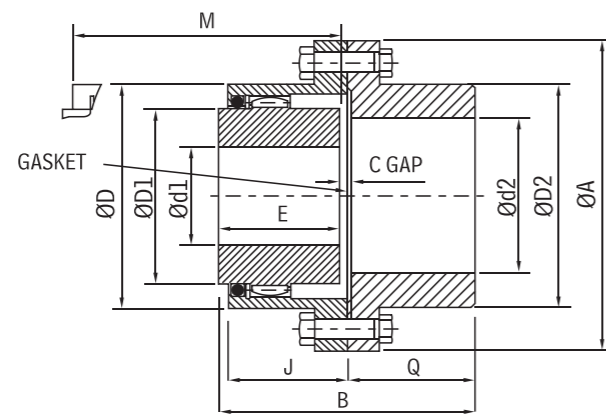


# TYPE : UHG GEAR - FLEX COUPLINGS



## FEATURES

- Standard half flexible gear coupling TYPE UHG cannot accommodate parallel misalignment.
- Used primarily with floating shaft assemblies. Extensively used for cross traverse and long travel line shaft drives.



HALF FLEXIBLE TYPE UHG

## TECHNICAL DATA

Size	kW at 100 rpm	Rated Torque Nm	Max. rpm	Bore											Solid Hub			
				PB	Max.		ØA	E	ØD1	ØD	M	C	J	B	Q	ØD2	Wt. kg	M.I.(WR <sup>2</sup> ) kg-m <sup>2</sup>
					Ød1	Ød2												
UHG - 100	5.2	497	7600	10	35	45	120	45	50	75	55	3	39.5	93	46.5	65	4.2	0.0075
UHG - 101	10.5	1002	6300	20	50	60	170	55	65	110	65	5	49	115	57.5	85	11	0.0375
UHG - 102	26.1	2492	5000	30	60	75	185	70	85	125	80	5	62	145	72.5	110	15	0.06
UHG - 103	47	4486	4000	40	75	90	220	85	105	150	105	5	78	175	87.5	130	20	0.1275
UHG - 104	89	8495	3350	50	90	110	250	105	130	175	125	5	96	215	107.5	160	40	0.25
UHG - 105	136	12982	2800	60	110	130	290	110	155	200	140	10	106	230	115	185	60	0.5
UHG - 106	209	19950	2500	75	125	150	320	125	175	230	155	10	117	260	130	215	80	0.825
UHG - 107	366	34936	2100	90	140	170	350	140	205	260	175	10	134	290	145	240	106	1.45
UHG - 108	470	44864	1900	105	160	200	380	155	230	290	190	10	147	320	160	285	149	2.375
UHG - 109	585	55841	1700	125	180	220	430	165	250	330	205	10	156	340	170	315	170	4.2
UHG - 110	856	81709	1400	140	220	260	490	180	310	390	220	10	171	370	185	370	264	8.75

- All dimensions are in mm unless otherwise specified.
- Spacer Couplings also available on specific request.
- In view of constant endeavour to improve quality of our products, we reserve the right to alter or change specifications without prior notice.
- This document is the intellectual property of Utkur Iron & Steel Industries and subject to copyright.



Revolutionizing Rotation...

www.utkur.com

MANUFACTURED BY

DEALER

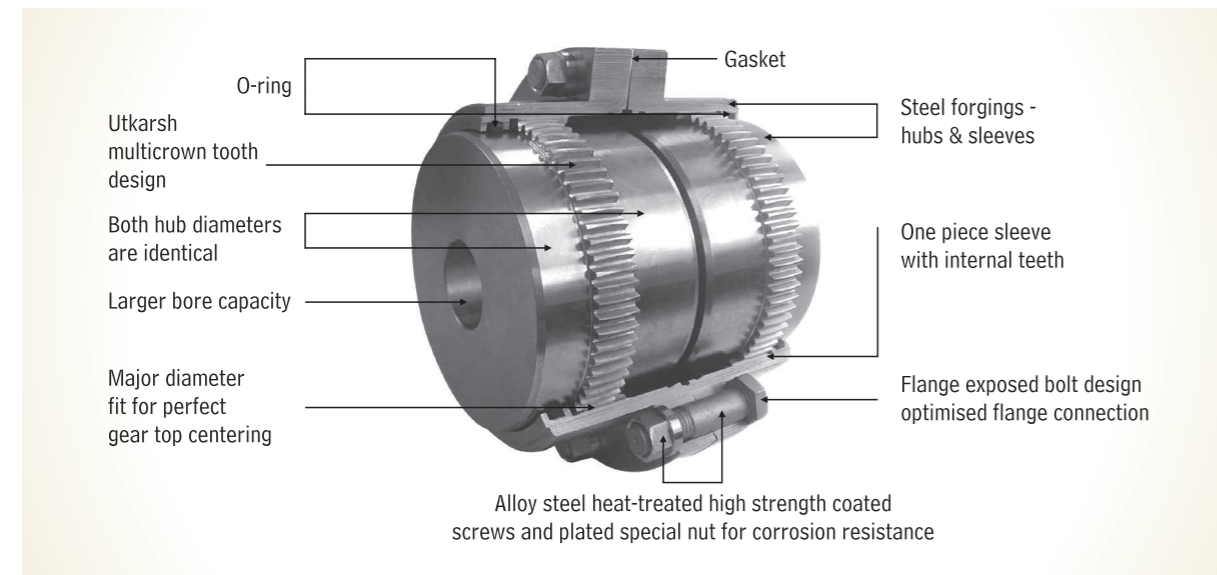
**UTKUR IRON & STEEL INDUSTRIES**

Plot No. L-51, Additional M.I.D.C., Satara - 415 004. (INDIA)  
 Ph.: +91 2162 240574, 240974 Fax : + 91 2162 240174  
 E-mail : sales@utkur.com  
 website : www.utkur.com



## CONSTRUCTION

Full gear type UFG Utkarsh Flexible Gear Coupling consists of two identical toothed hubs, two identical flanged sleeves with internal teeth, a gasket, a set of bolts, nuts and lock washers, lube plugs and two oil / grease retaining seals over the hubs.



## FEATURES

- Less Backlash • Compact Assembly • Larger Bore Capacities • High Power To Weight Ratio
- Accommodates Angular, Parallel and Axial Misalignments
- Generally used up to 120°C. Can be used for higher temperatures by using proper grade of grease or oil

## SELECTION PROCEDURE

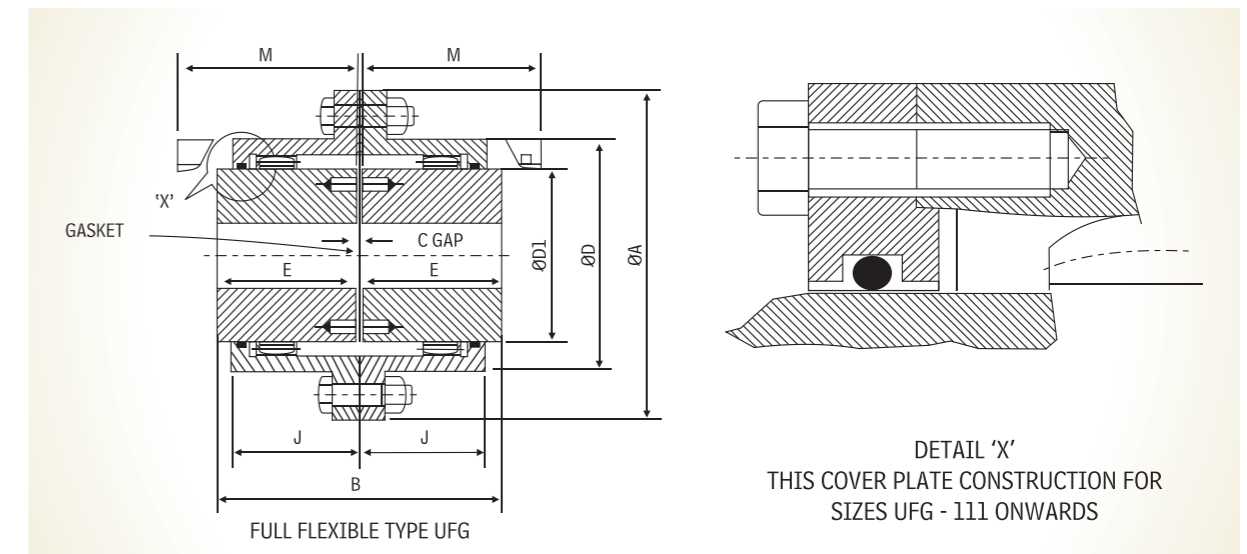
- Select an appropriate SERVICE FACTOR from table given below.
- Multiply the rated running power by the service factor. This gives DESIGN POWER at rated speed (rpm). Convert this to design power at 100 rpm. This is used as a basis for coupling selection.
- Refer to the rating column and read until the power greater than or equal to the design power at 100 rpm is found. The size of the gear coupling is given in the corresponding first column. Check the max. bore capacities. If required bore size is greater than the max. bore of selected coupling size, then go for higher size to meet the required bore.

## SERVICE FACTORS

LOAD	DRIVEN EQUIPMENT	TYPE OF DRIVE	
		Motor or Turbine	Reciprocating Engine
Uniform	Centrifugal Pumps, Conveyors - even loaded, Exciters, Fans and Blowers - Light Duty, Generators - even loaded & Mixers - Liquid	1	1.5
Light	Centrifugal Pumps, Generators - pulsating load, Grinders, Hydraulic Pumps, Kilns, Line Shafting, Machine Tools, Oscillating Pumps, Textile Machinery & Woodworking Machinery	1.5	2
Medium	Air compressors - multi - cylinder, Ball and Rod Mills, Cranes, Elevators, Hoists, Punch Presses, Reciprocating Pumps, Shears, Ship Drives & Welding Generators	2	2.5
Heavy	Air compressors - single cylinder, dredges, Drilling Rigs, Mine Machinery, Rolling Mill Drives and Rubber Mixers	2.5	3
Extreme	Ore Crushers, Bar Stock shears and Vibrating Conveyors	3	4

## FEATURES

Standard full flexible gear coupling TYPE UFG accommodates angular & parallel misalignments or a combination of both as well as axial misalignment (end float). Ideal for all horizontal, close coupled applications including fans, overhead cranes, conveyors, steel & paper mill equipments. One or both the hubs can be easily reversed for more than normal shaft separation applications.



## TECHNICAL DATA

Size	kW at 100 rpm	Rated Torque Nm	Max. rpm	Bore		ØA	E	ØD1	ØD	M	C	J	B	Solid Hub	
				PB	Max.									Wt. kg	M.I.(WR <sup>2</sup> ) kg-m <sup>2</sup>
UFG - 100	5.2	497	7600	10	35	120	45	50	75	55	3	39.5	93	4.2	0.0075
UFG - 101	10.5	1002	6300	20	50	170	55	65	110	65	5	49	115	11	0.035
UFG - 102	26.1	2492	5000	30	60	185	70	85	125	80	5	62	145	15	0.05
UFG - 103	47	4486	4000	40	75	220	85	105	150	105	5	78	175	25	0.12
UFG - 104	89	8495	3350	50	90	250	105	130	175	125	5	96	215	39	0.238
UFG - 105	136	12982	2800	60	110	290	110	155	200	140	10	106	230	57	0.488
UFG - 106	209	19950	2500	75	125	320	125	175	230	155	10	117	260	85	0.75
UFG - 107	366	34936	2100	90	140	350	140	205	260	175	10	134	290	103	1.313
UFG - 108	470	44864	1900	105	160	380	155	230	290	190	10	147	320	138	2.125
UFG - 109	585	55841	1700	125	180	430	165	250	330	205	10	156	340	210	3.75
UFG - 110	856	81709	1400	140	220	490	180	310	390	220	10	171	370	277	7.625
UFG - 111	1146	109391	1250	160	260	545	200	350	445	240	10	192	410	550	14.5
UFG - 112	1532	146236	1120	180	300	590	240	400	490	280	10	231	490	710	22.0
UFG - 113	2084	198927	1000	200	330	680	260	440	555	310	15	242	535	980	34.5
UFG - 114	2980	284455	900	220	370	730	280	500	610	330	15	266	575	1320	72.75
UFG - 115	3620	345545	800	250	410	780	320	540	660	370	15	305	655	1700	88.25
UFG - 116	6250	596591	710	300	455	900	350	625	755	423	20	335	720	2550	172.0
UFG - 117	8890	848591	630	375	520	1000	400	720	855	490	20	386	820	3620	309.0
UFG - 118	11770	1123500	560	450	610	1100	450	810	950	533	20	430	920	4860	491.0
UFG - 119	15521	1481550	500	520	710	1250	485	910	1050	558	30	446	1000	6380	753.0

- All dimensions are in mm unless otherwise specified.
- Spacer Couplings also available on specific request.